

Laser Non-Contact/Contact Tachometers

DT-205L (LCD)

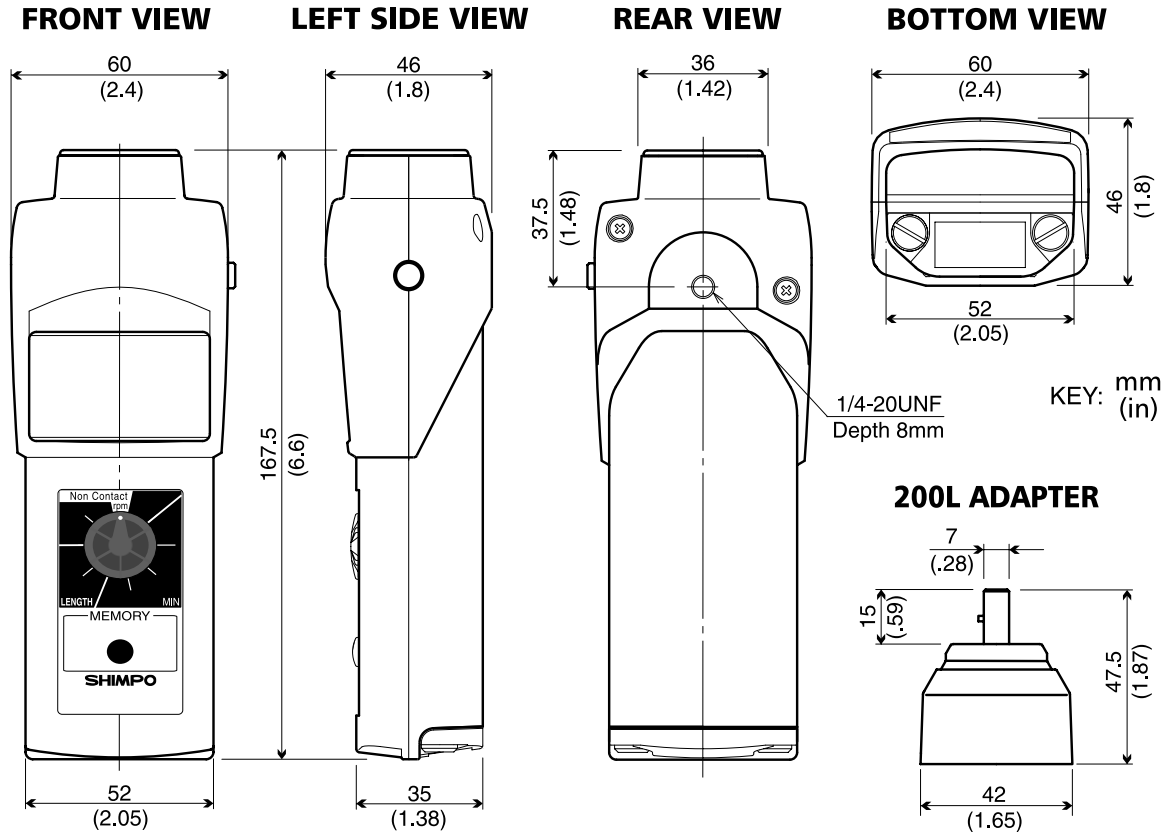
DT-207L (LED)

A laser allows precise RPM measurement from 14 feet!

Our new DT-205L and DT-207L tachometers incorporate laser technology yet retain our hallmark rugged construction and reliable quality components; both offer incredible value and versatility as they perform non-contact and contact applications via the included contact adapter. We're confident you'll agree that these fine units are the most advanced handheld tachometers on the market!

| Features | Benefits |
|---|---|
| Sophisticated laser beam detection | Safely allows RPM detection in hard-to-reach or dangerous areas |
| Exceptional accuracy ($\pm 0.0006\%$ of reading) | Assures reliable measurement results |
| Length and rate functions | Offer expanded measurement capabilities |
| Multi-mode speed selection | 9 selections allow optimum versatility |
| Broad speed range (up to 99,999 RPM) | Covers a wide range of applications |
| Hardy aluminum construction | Assures maintenance-free performance for many years |
| Large 5 digit display | Numbers are easily readable |
| Expansive 10 test memory capacity (selectable to 5 minutes or more) | Stores last/min/max readings for thorough equipment/process inspection |
| Extended battery life (25 - 40 hours) | Advanced power management for longer operating times/increased productivity |
| Free N.I.S.T. certificate | Permits easy compliance with regulations |
| CE mark | Compliant with applicable EU directives |





| SPECIFICATIONS | | |
|-----------------------------|---|-------------------------------|
| Model | DT-205L | DT-207L |
| Measuring Range | 6 - 99,999 RPM | |
| Accuracy | ±1 RPM : 6 - 8,300 RPM ±2 RPM : 8,300 - 25,000 RPM ±0.006 % of reading ±1 digit (or 2 RPM max.) : 25,000 - 99,999 RPM | |
| Display | 5 digit 0.47" (12 mm) high LCD | 5 digit 0.4" (10 mm) high LED |
| Measuring Units | RPM (on contact using adapter, included) For rate : YPM, mPM, FPM, IPM and length : YRD, m, FT, IN use 6" cir. wheel with 200L adapter | |
| Memory | 13 readings are stored in memory and retained for 5 minutes (last, max., min. and 10 extra measurements) | |
| Display Update Time | 1 second (typical) | |
| Detection | Laser diode | |
| System Control | Single-chip C-MOS microprocessor | |
| Over Range Indicator | Flashing numerals | |
| Voltage Requirement | 2 AA 1.5 V batteries | |
| Low Battery Indicator | Flashing "LO BAT" display | "B" display |
| Auto Power Shut-Off | Yes | |
| Battery Life | 40 hrs approx. | 25 hrs approx. |
| Operating Temperature Range | 32° - 113° F (0 - 45° C) | |
| Construction | Die-cast aluminum housing | |
| Weight | 0.8 lb (365 g) | |
| Dimensions | 6.6" L x 2.4" W x 1.8" H (167.5 mm x 60 mm x 46 mm) | |
| Warranty | 1 year | |
| Standard Accessories | Reflective tape, cone adapter, carrying case, NIST certificate, 1 master wheel (6" cir.) and 200L adapter | |